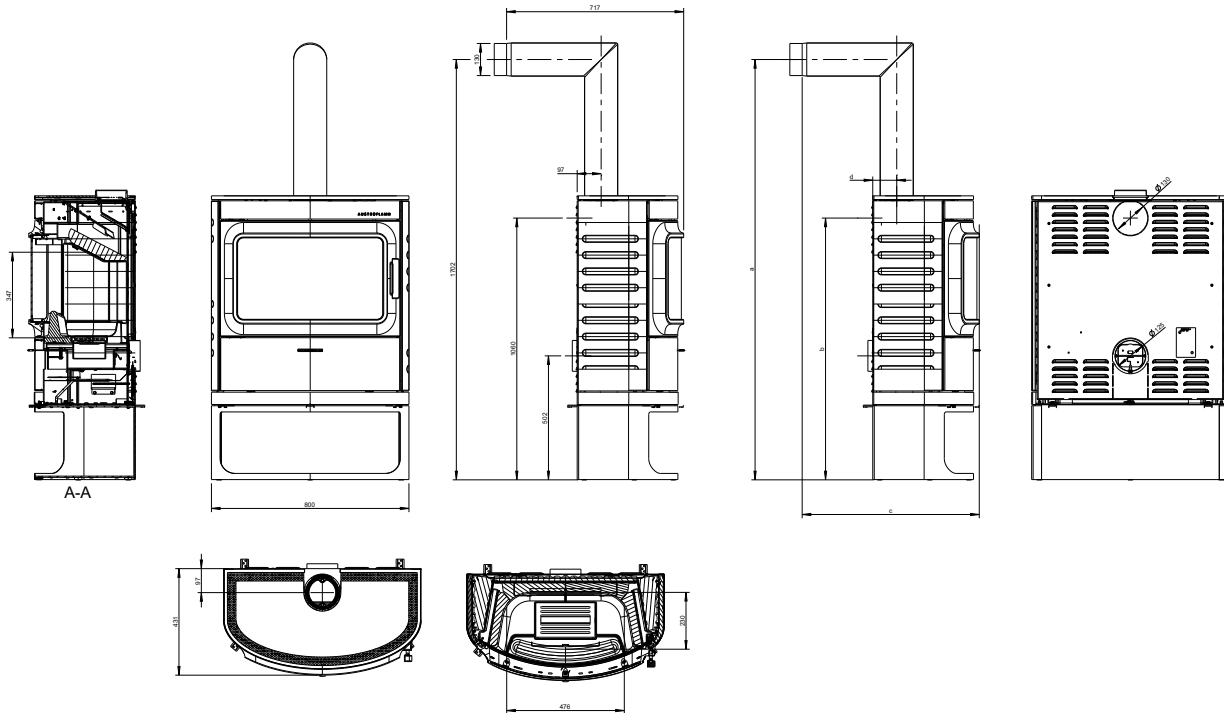


CODY



www.austroflamm.com



DIMENSIONS AND WEIGHTS

Steel case (STM) h x w x d [mm]	850 x 800 x 431
Ceramic casing (KMG) h x w x d [mm]	-
Soapstone case (SPM) h x w x d [mm]	-
Firebox h x w x d [mm]	347 x 476 x 230
Weight STM/ KMG / SPM[kg]	171 / 181.5 / -
Weight, HMS[kg]	62.6
Flue pipe outlet [Ø mm]	130
Flue pipe connection, middle [mm]	760
Dimensions a, b, c, d [mm]	1702 / 1050 / 717 / 97
Safety distances to combustible materials front / side / rear [mm]	800 / 200 / 200

HEAT OUTPUT

Nominal heat output under EN 13240 [kW]	8
Min. / max. heat output [kW]	3.5 / 9
Spaceheating capacity (depending on the building insulation)[m³]	82-210
Energy efficiency category	A+

FITTINGS

XTRAheat storage technology	-
Heat Memory System (HMS)	Z
Ash box	Z
external air connection / balanced flue operation	rear

DATA FOR THE CHIMNEY SWEEP

Exhaust gas mass flow closed [g/s]	7.8
Flue gas temperature closed [°C]	256
Minimum delivery pressure at nominal heat output closed [Pa]	12
at 0.8 times nominal heat output [Pa]	10