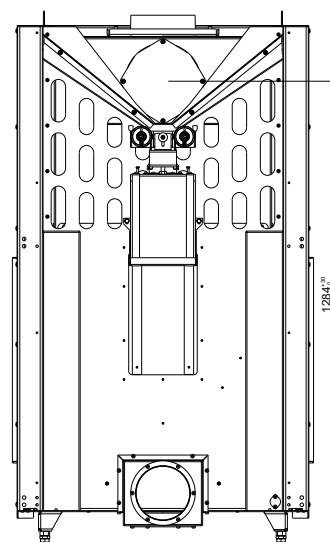
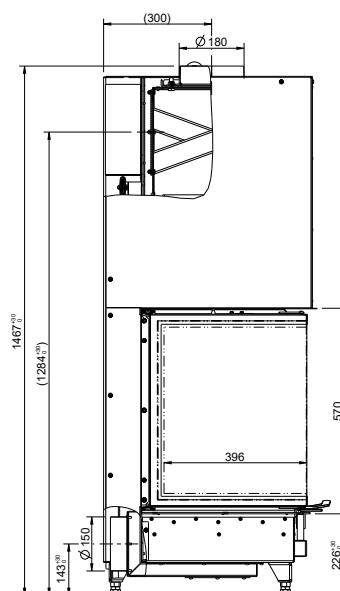
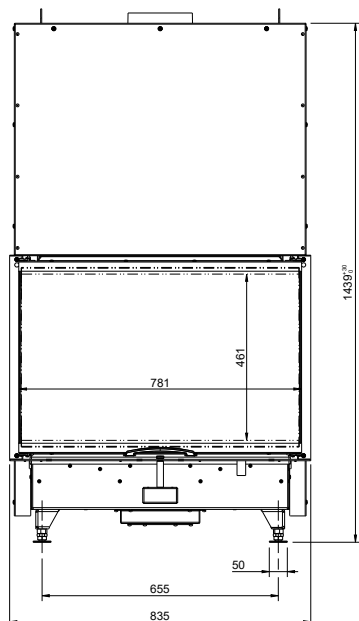
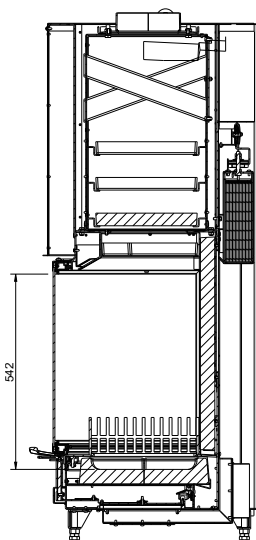
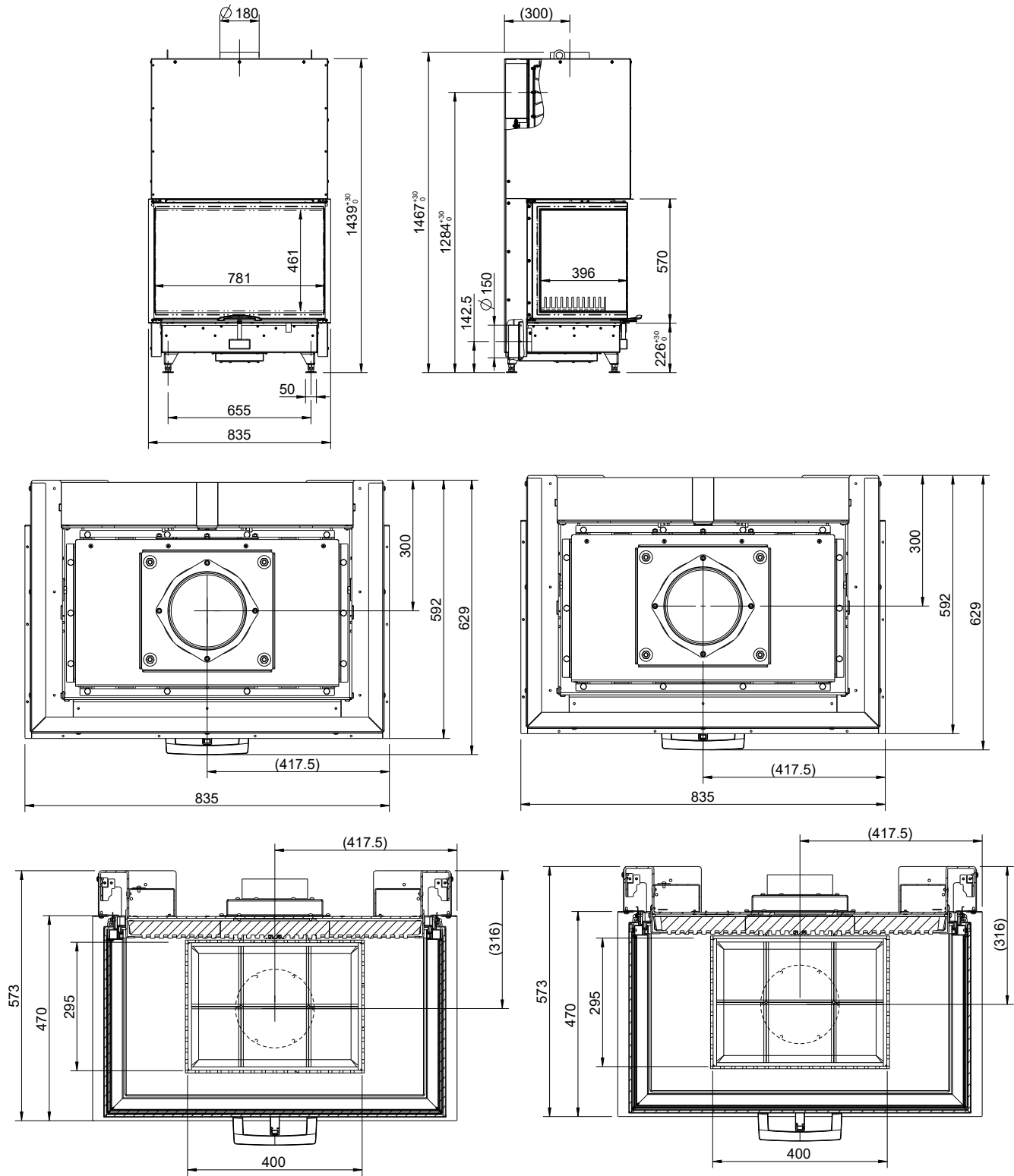


VUUR-DRIE-80



AUSTROFLAMM





Dimensions and weight	
Height from [mm]	1467
Height to [mm]	1497
Width (body installation dimension) [mm]	835
Depth [mm]	592
Door frame height [mm]	570
Door frame width [mm]	835
Weight [kg]	306
Weight Xtra [kg]	-
Weight, HMS [kg]	-
Flue pipe outlet, diameter [mm]	180
dR Distance rear [mm]	0
dS1 Distance left [mm]	900
dS2 Distance right [mm]	900
dP Radiation front [mm]	1100
dF Radiation to the floor [mm]	under examination
dB Distance bottom [mm]	under examination
dL 1 Radiation left [mm]	under examination
dL 2 Radiation right [mm]	under examination
Safety distance to insulation, rear [mm]	60
Safety distance to insulation, right [mm]	-
Safety distance to insulation, floor [mm]	-
Insulation material thickness to installation base [mm]	0
Insulation material thickness to ceiling [mm]	120
Insulation material, left [mm]	-
Insulation material thickness, right [mm]	-
Insulation material, rear [mm]	60
Cross-section, convection outlet [cm ²]	700
Cross-section, convection inlet [cm ²]	700
Max. amount of firewood fuel to be deposited [kg]	3.8
Output	
Nominal heat efficiency [kW]	15.0
Minimum heat output [kW]	7.5
Maximum heat output [kW]	20
Energy efficiency class	A+
Circulating air cross-section with metal heat recovery surface [cm ²]	1300
Circulating air cross-section without metal heat recovery surface [cm ²]	700
Nominal water heat output [kW]	-
Combustion air requirement [m ³ /h]	57.60
Minimum fuel throughput [kg/h]	-
Maximum fuel throughput [kg/h]	3.8
Outside air connection diameter [Ø mm]	150
Equipment	
Hinged door	No
Sliding door	Yes
Double pane	No
Hypocaust in compliance with technical regulations	Yes
Data for the chimney sweep	
Exhaust gas mass flow [g/s]	14.8
Flue gas temperature [°C]	254
Minimum delivery pressure at nominal heat output [Pa]	12

- not available