

55X57-K-2.0



AUSTROFLAMM



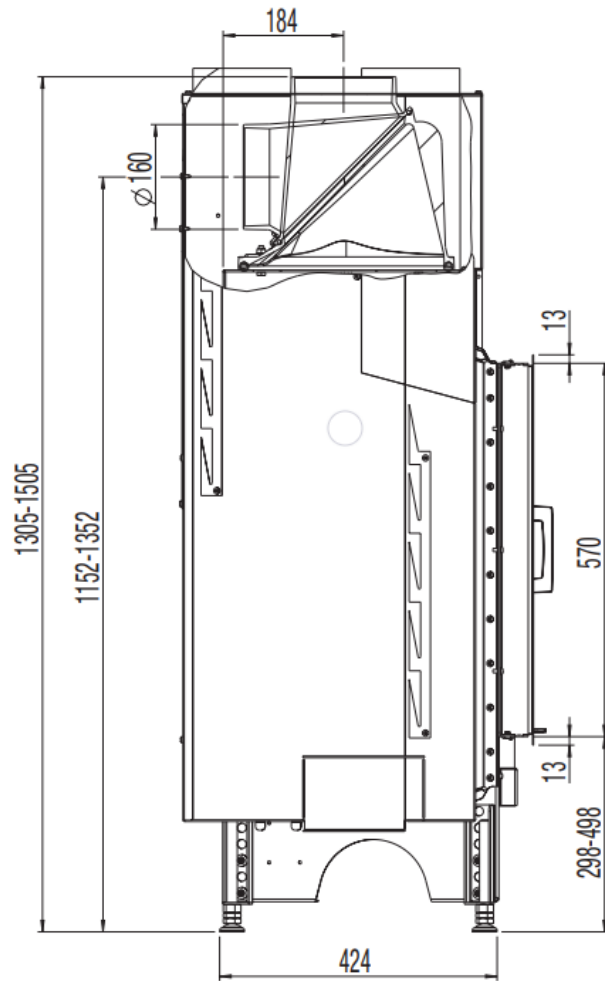
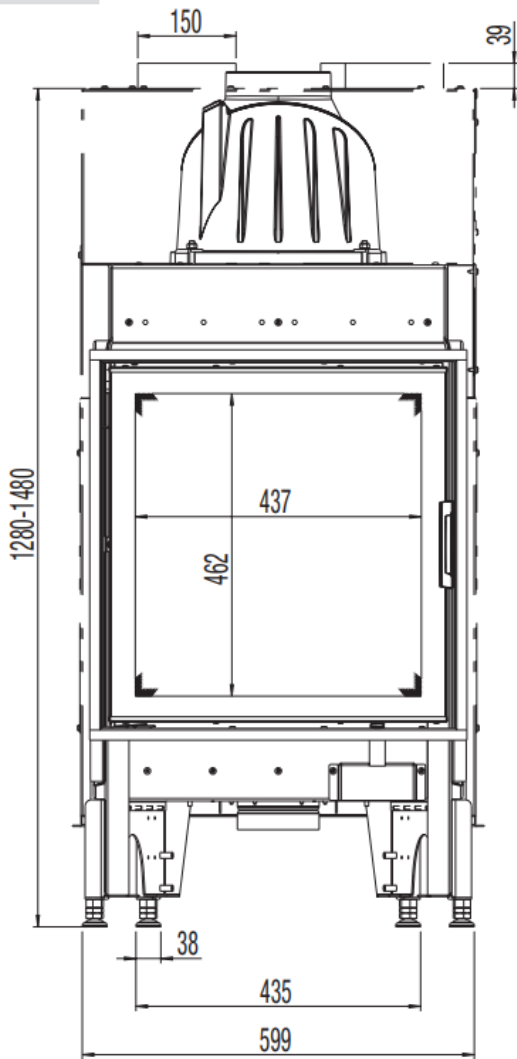
www.austroflamm.com

55X57-K-2.0

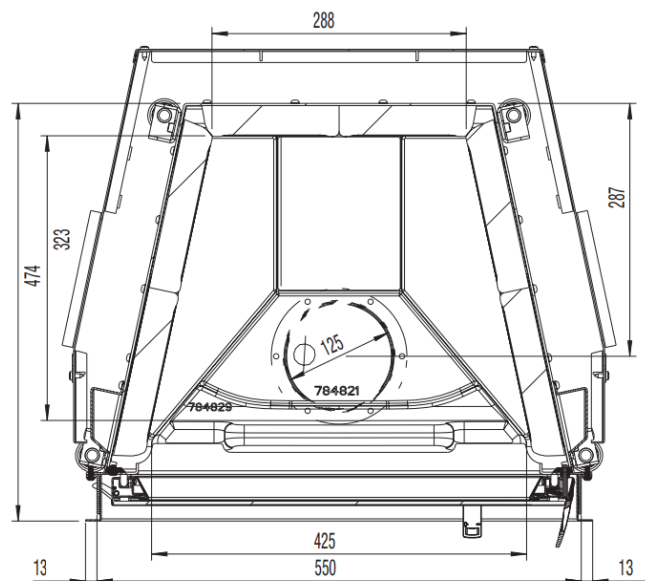
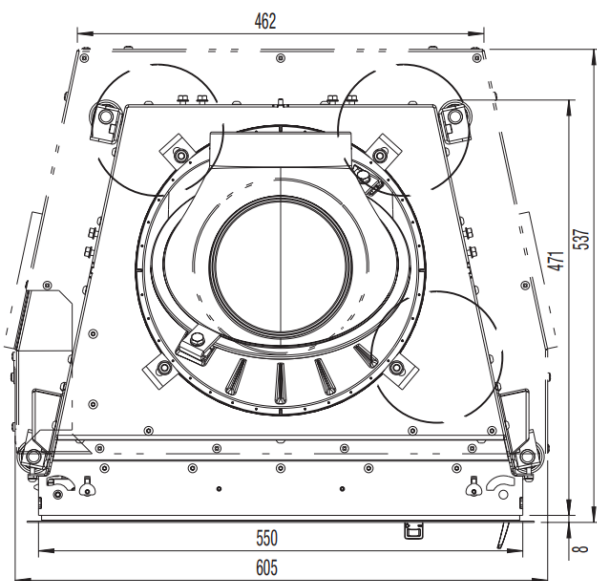


AUSTROFLAMM

Maßstab 1:20



Maßstab 1:10



o standard

Z Accessories

- not available

DIMENSIONS AND WEIGHTS	
Height [mm]	1305-1505
Width [mm]	605
Depth [mm]	471
Weight [kg]	112
Width (body installation dimension) [mm]	550
Door frame, height [mm]	570
Flue pipe outlet, diameter [mm]	160
Insulation layer thicknesses to the installation floor [mm] (Promasil 950 KS)	60
Insulation layer thicknesses lateral / rear [mm] (Promasil 950 KS)	90
Insulation layer thicknesses to the ceiling [mm] (Promasil 950 KS)	90
Ceramic flues - max. length [m]	3.5
HEAT OUTPUT	
Nominal heat efficiency [kW] lt. EN test EN 13229	7
Heat output, minimum [kW] / Maximum heat output [kW]	3.5-9
Energy efficiency category	A
Circulating air cross-section without / with metal secondary heating surface [cm ²]	700/1100
FEATURES	
Hinged doors	yes
Double pane	x
DATA FOR THE CHIMNEY SWEEP	
Total flue gas flow [g/s]	6.17
Flue gas temperature [°C]	351
Minimum feed pressure at nominal heat efficiency [Pa]	12