

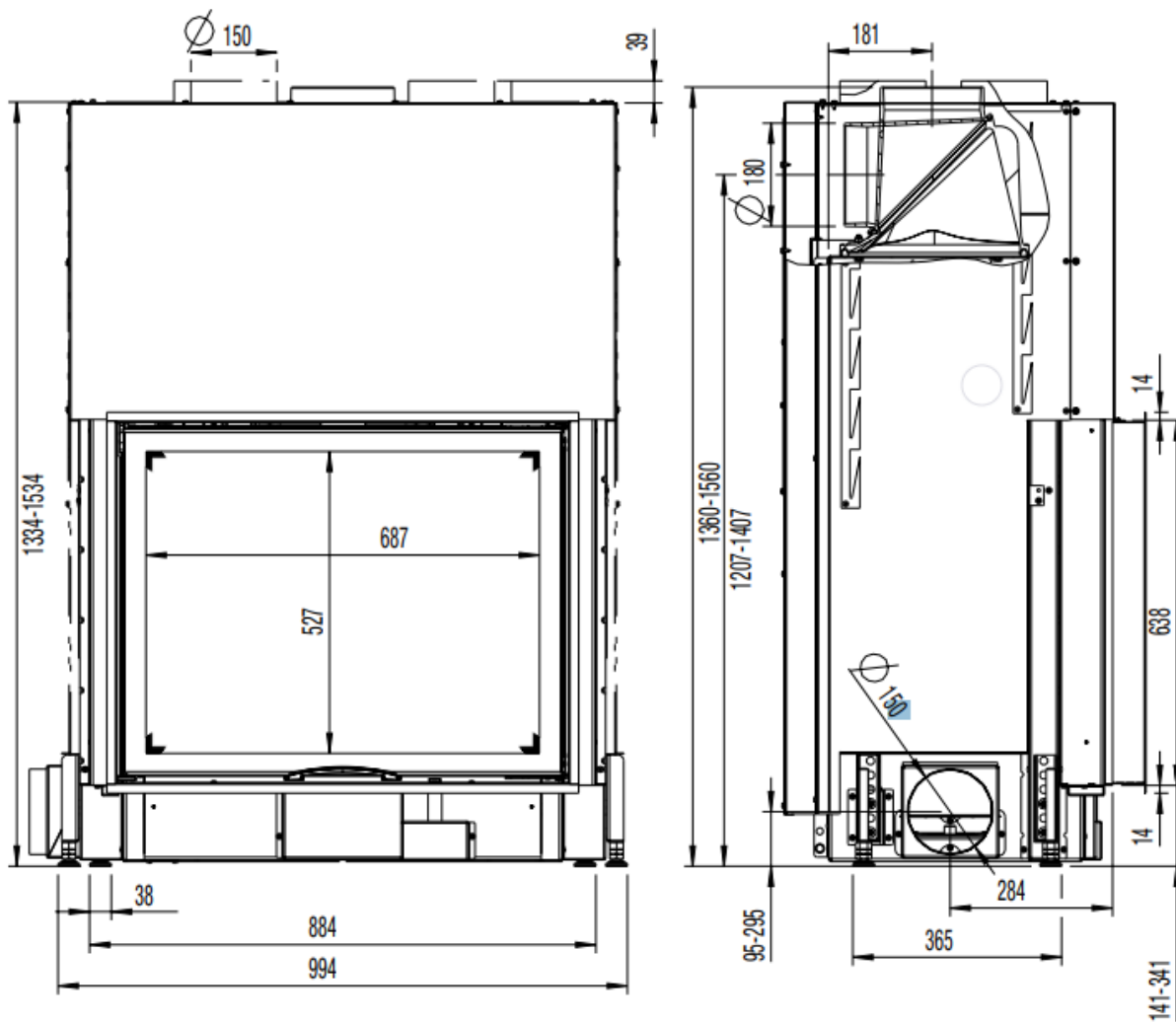
80X64-S 2.0



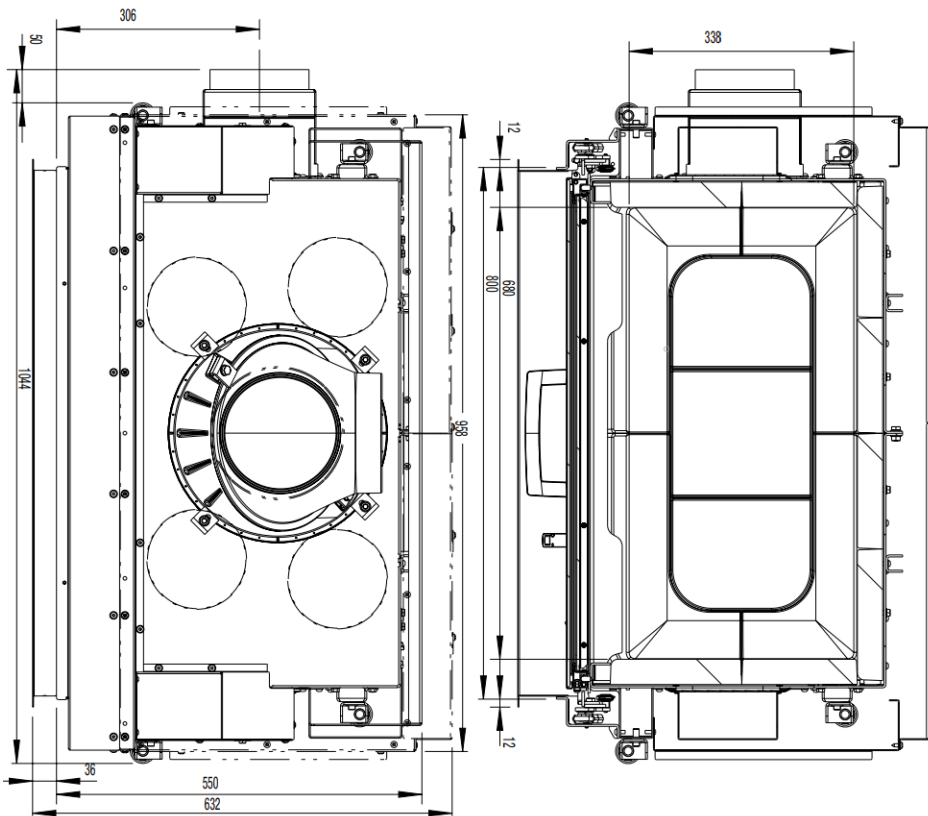
www.austroflamm.com

80X64-S 2.0

Maßstab 1:20



Maßstab 1:10



DIMENSIONS AND WEIGHTS

Height [mm]	1360-1560
Width [mm]	1044
Depth [mm]	550
Weight [kg]	280
Width (body installation dimension) [mm]	800
Door frame, height [mm]	640
Flue pipe outlet, diameter [mm]	180
Insulation layer thicknesses to the installation floor [mm] (Promasil 950 KS)	40
Insulation layer thicknesses lateral / rear [mm] (Promasil 950 KS)	120
Insulation layer thicknesses to the ceiling [mm] (Promasil 950 KS)	120
Ceramic flues - max. length [m]	4

HEAT OUTPUT

Nominal heat efficiency [kW] lt. EN test EN 13229	10
Heat output, minimum [kW] / Maximum heat output [kW]	5-14
Energy efficiency category	A
Circulating air cross-section without / with metal secondary heating surface [cm ²]	1000/1300

FEATURES

Double pane	yes
Sliding door	yes

DATA FOR THE CHIMNEY SWEEP

Total flue gas flow [g/s]	8.28
Flue gas temperature [°C]	312
Minimum feed pressure at nominal heat efficiency [Pa]	12